

## FOR INDIVIDUAL SLIDING DOORS

Maximum security.

## 8065L PNEUMATIC LOCKING SYSTEM

### 8065L PNEUMATIC LOCKING SYSTEM

The 8065L series covers several versions of a system designed for locking, unlocking and propelling sliding doors in safety vestibules, in dayrooms or in high-traffic corridors.

Each 8065L model utilizes pneumatic cylinders to operate the door. Doors are locked at top and bottom in both the open and closed positions by means of a concealed vertical lock bar at the rear jamb of the door. The vertical lock bar is deadlocked at a third locking point inside the horizontal cover box above the door. Standard clear door opening widths available are 3'-0" to 4'-6".

#### FUNCTION:

**ELECTRIC** - A remote switch activates pneumatic cylinders which raise a vertical lock bar and propel the door open or closed.

**MECHANICAL** - Manual unlocking is provided for each device. After being manually released, door movement is by hand. The door automatically deadlocks when moved to the fully open or closed position.



#### TECHNICAL DATA:

- COVER BOX: 1' 0-3/4" H x 7-1/2" D
- COVER BOX MATERIAL: 7 gauge steel plate
- HINGED PANEL: 10 gauge steel
- DOOR ROLLERS: 3" diameter, with sealed bearings
- VERTICAL LOCK BAR DIMENSIONS: 5/8" SQ by full height of door
- FINISH: Prime paint
- DOOR HANGER: 7 gauge steel plate
- ELECTRICAL: 3.5 watts
- WIRE REQUIREMENTS: Minimum of five 24 volt conductors are required between the control point and the door, except for those models having the letter "K" (keyswitch) in the suffix. Keyswitch models require minimum six conductors.
- AIR REQUIREMENTS: Air consumption varies with door size at 80 PSIG.



## FOR INDIVIDUAL SLIDING DOORS

Maximum security.

## 8065L PNEUMATIC LOCKING SYSTEM

### 8065LP-2 PNEUMATIC SLIDING DOOR SYSTEM

#### STANDARD FEATURES:

- Bottom door guide
- Door hanger
- Local mechanical release at cover box
- Sloped-front cover box
- Hinged cover panel for maintenance access
- Vertical lock bar assembly
- ASTM F1643 Certified Horizontal and Vertical Impact Test-Grade 1
- Prime paint finish

#### OPTIONAL FEATURES:

**PILASTER RELEASE** - Hip-high paracentric keyed mechanical release mounted in a full-height pilaster adjacent to the receiving jamb.

Specify "8065LP-1" keyed one side.  
Specify "8065LP-2" keyed two sides.

**ELECTRIC KEYSWITCH** - Paracentric or mogul keyed local electric control switch mounted below mechanical release mechanism in pilaster.

Specify "8065LPK-1" paracentric keyed one side.  
Specify "8065LPK-2" paracentric keyed two sides.  
Specify "8065LPKM-1" for mogul keyed one side.  
Specify "8065LPKM-2" for mogul keyed two sides.

**HOT DIP GALVANIZED FINISH** - Available for external applications with lift-off cover panel only. Not available with standard hinged cover panel. Specify "G" when ordering. Example: 8065LP-1G

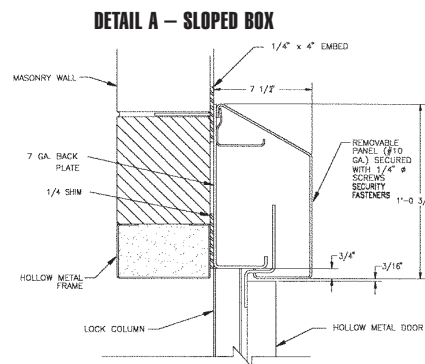
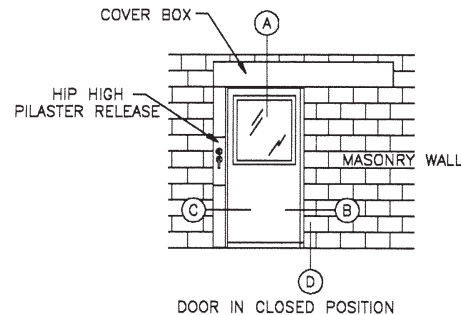
#### DOOR SCHEDULE

DOOR HEIGHT	CLEAR OPENING	FRAME OPENING	COVER BOX	DOOR WIDTH
8'-0" MAXIMUM	2'-4"	2'-4"	6'-0"	2'-6 1/2"
	2'-6"	2'-6"	6'-4"	2'-8 1/2"
	2'-8"	2'-8"	6'-8"	2'-10 1/2"
8'-0"	3'-0"	3'-0"	7'-4"	3'-2 1/2"
	3'-2"	3'-2"	7'-8"	3'-4 1/2"

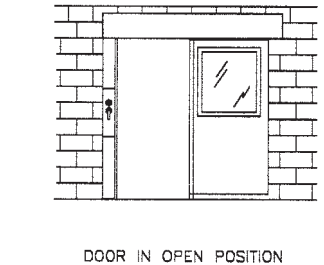
NOTE: Cover box minimum length = (7" overtravel) + (2 x clear opening) + 9".

For doors exceeding 450 lbs. and/or greater than 4'-6" clear opening, contact factory.

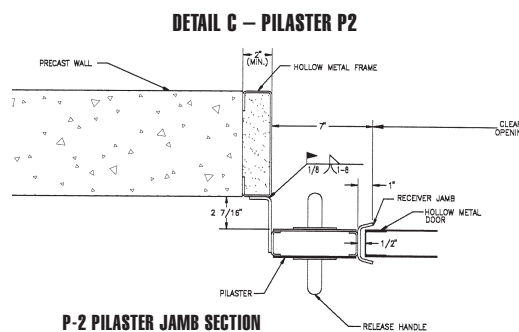
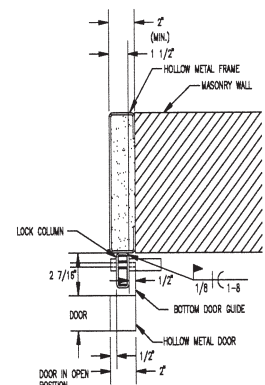
**THREE HOUR FIRE DOOR RATING AVAILABLE.** Standard cover box calculation does not apply to fire rated door.



**COVER BOX SECTION**  
7-1/2" deep x 1'-0-3/4" tall cover box field welded 1" on 6" top and bottom

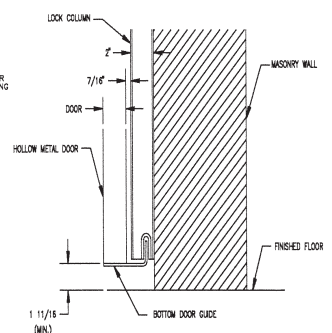


**DETAIL B - VERTICAL LOCK BAR JAMB**



**P-2 PILASTER JAMB SECTION**  
Pilaster and receiver jamb requires frame opening to be 7" larger than clear opening.

**DETAIL D - BOTTOM DOOR GUIDE SECTION**



#### 8065LP-2 Shown

Note: Other system configurations and details are available. Call Customer Service for more information.

